

HELIO BASIN DATA SHEET

CONSTRUCTION

Our Fusion Basins are constructed and turned from solid teak and set into a solid teak washstand. Single, double and triple versions are available.

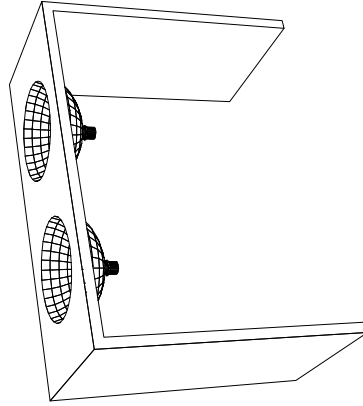
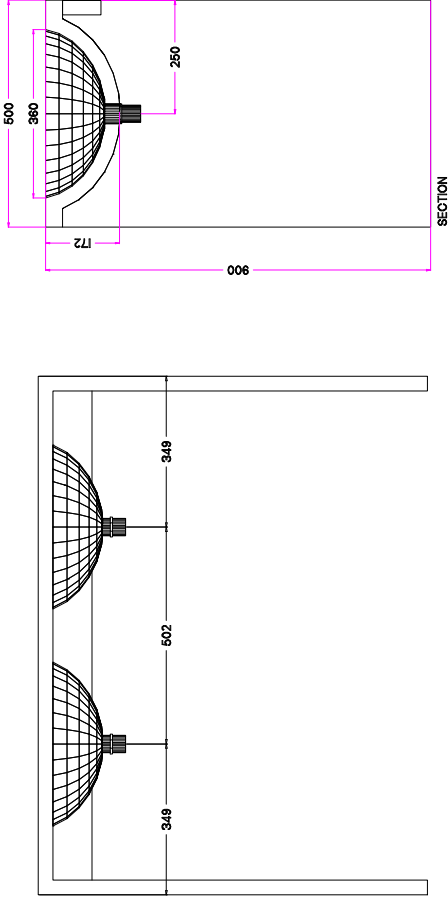
PLUMBING CONNECTIONS

Helio Basins are fitted with a standard 1 1/4" chrome Presflo (chainless) waste compatible with standard basins traps.

CARE & MAINTENANCE

All our bathroom products are polished with Timbertect Plus. This is an epoxy resin sealant which sinks into the timber and fuses with it, forming an exceptionally tough layer which will not absorb stains and which is straightforward to clean with standard non-abrasive bathroom and kitchen cleaners. Products containing bleach should be avoided as they may lighten the timber unevenly. Further information on care and maintenance is provided with the basin.

TM Triple-C Products



DIMENSIONS	
Basin diameter	360mm 14"
Basin depth (external)	172mm 6 1/2"
Table: Height	900mm 35 1/2"
Width	1200mm 47"
Depth	500mm 19 1/2"
Crated weight (double)	35 kg 77lbs

OUR BASINS CAN BE MADE TO INDIVIDUAL SIZES.  
PLEASE CONTACT US TO DISCUSS YOUR REQUIREMENTS.

WILLIAM GARVEY LTD LEYHILL PAYHEMBURY HONITON DEVON EX14 0JG UK  
Tel: 01404 841430 Fax: 01404 841626 mail@williamgarvey.co.uk www.williamgarvey.co.uk

ISSUE 1 AUGUST 2004