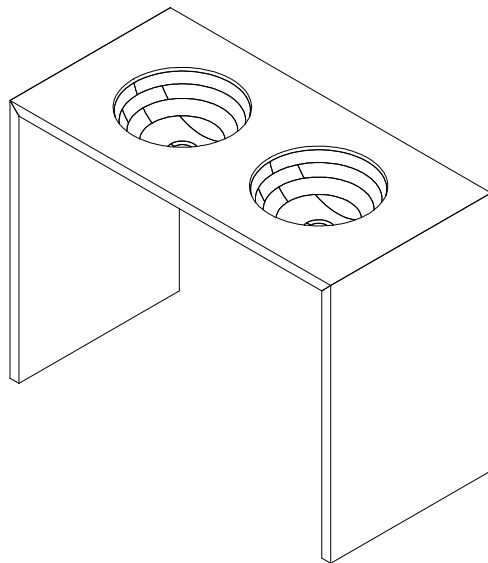


SECTION A-A



CONSTRUCTION

Our Fusion Basins are constructed and turned from solid teak and set into a solid teak washstand. Single, double and triple versions are available.

PLUMBING CONNECTIONS

Helio Basins are fitted with a standard 1 1/4" chrome Presflo (chainless) waste compatible with standard basin traps.

CARE AND MAINTENANCE

All William Garvey kitchen and bathroom products are polished with Timbertect, a resin based sealant which sinks into the timber and fuses with it, forming an exceptionally tough layer which will not absorb stains and which is easy to clean using ordinary non-abrasive bathroom and kitchen cleaners. Abrasive cleaners and products containing bleach should be avoided as they may lighten the timber unevenly. However limescale removers can be used without the risk of damage

DIMENSIONS	
Basin diameter	360mm 14 "
Basin depth (external)	172mm 6 1/2"
Table Height	900mm 35 1/2"
Width	1200mm 47"
Depth	500mm 19 1/2"
Crated weight (double)	35kg 77lbs

OUR BASINS CAN BE MADE TO INDIVIDUAL SIZES,
PLEASE CONTACT US TO DISCUSS YOUR REQUIREMENTS.

DOUBLE FUSION BASIN DATA SHEET

ISSUE 2 DECEMBER 2007

WILLIAM GARVEY LTD
Leyhill Payhembury Honiton Devon EX14 3JG

tel: 0044 (0)1404 841430
fax 01404 841626

www.williamgarvey.co.uk
mail@williamgarvey.co.uk



WILLIAM GARVEY LIMITED
FURNITURE DESIGNERS & MAKERS